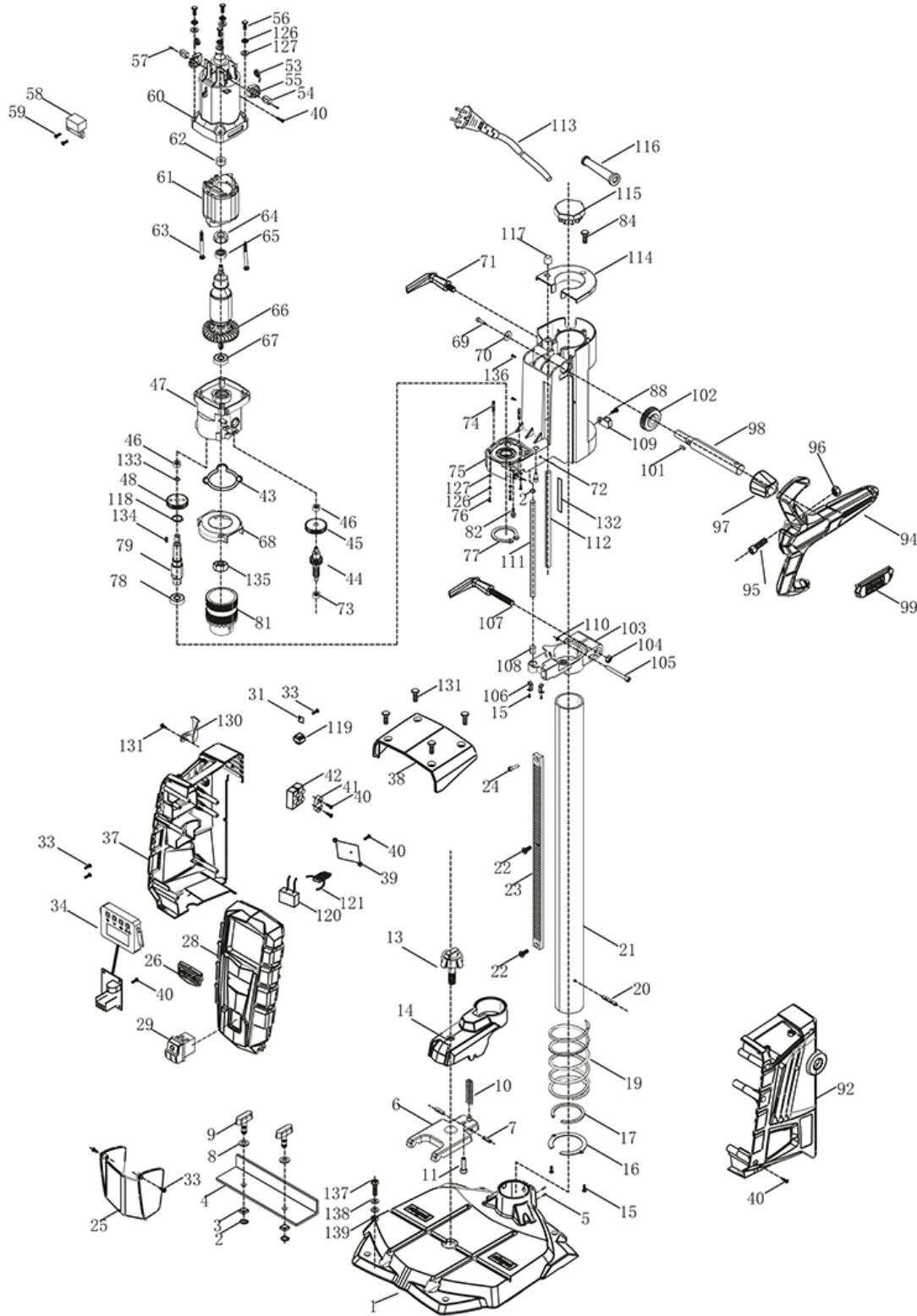


# Scheppach

5906822901

Drill Press DP55  
scheppach - 220-240V  
50Hz 900W



**Main products**

5906822901

**Spare part list**

211443 - 0110 - DP55 / DP55Max - -

Spare	Description	additional	Item	Abb.	ConstructStatus
5906822001	Base - Scheppach		1	A	*



5906822901

Drill Press DP55  
scheppach - 220-240V  
50Hz 900W



**Main products**

**Spare part list**

5906822901

211443 - 0110 - DP55 / DP55Max - -

Spare	Description	additional	Item	Abb.	ConstructStatus	
3906813020	stop cpl.		2-4,8,9	A	*	
04091641	Threaded pin	M8x8 45H galvanized DIN916	5	A	*	
5906821003	Quick clamp assy		6,7,10,11,13,14A		*	
5906822013	clamping screw	M10x35	13	A	*	
1902403088	countersunk screw part 16		15	A	*	
01147231	GROOVED DOWEL PIN 5x10 ST 1472 BK	5x10	20	A	*	
02096503	countersunk screw	M4x8 VZ	22	A	*	
02008413	CHEESE HEAD SCREW M4x8 84 VZ	M4x8	24	A	*	
5906821005	chuck protection		25	A	*	
5906822002	front cover with name plate		26,28	A	*	
3906813025	on/off switch	15A 250VAC	29	A	*	
5906822003	LCD display		34	A	*	
5906822004	left cover		37	A	*	
5906822005	upper cover		38	A	*	
5906822015	intermediate gear(counter gear)		44	A	*	
5906812015	carbon brush set with holder (= 2 pcs.)		53-55	A	*	
5906812035	magnet ring	Ø15,5/6	62	A	*	not available anymore
5906822006	knob of framework base	M8x20 RAL9005	71	A	*	
3906814001	sprocket drill chuck with key	B16 für Konus MK2 1,5-13mm	81	A	*	
5906807058	keyless drill chuck	B16 für Konus MK2 1-16mm	81	A	*	
5906822007	laser head	(2 pcs.)	82	A	*	
5906822008	right cover		92	A	*	
5906822009	handle wheel		94	A	*	
05005419	Oval head screw	M6x30	95	A	*	
02098504	selflocking nut	M6 galvanized DIN985	96	A	*	



**Main products**

**Spare part list**

5906822901

211443 - 0110 - DP55 / DP55Max - -

Spare	Description	additional	Item	Abb.	ConstructStatus
5906822010	handle wheel sheet		97	A	*
5906821021	lifting gear	z=24	102	A	*
5906821015	fixing holder assy.		103,105,106,108,111	A	*
5906812026	leaf spring		106	A	*
5906821012	knob for fixing holder	M8x50	107	A	*
3906814013	Depth rod with scale		112, 117	A	*
5906821020	cover for braket		114	A	*
5906822014	Column end cap		115	A	*
5906812025	capacitor	0,1µF 250V	120	A	*
3906814012	scale indicator		130	A	*
3906813030	open end wrench for chuck SW16	SW16	o.Abb.	A	*
02091235	cheese head screw	M6x12 8.8 912 VZ	o.Abb.	A	*
5906822011	enclosed accessories bag		o.Abb.	A	*